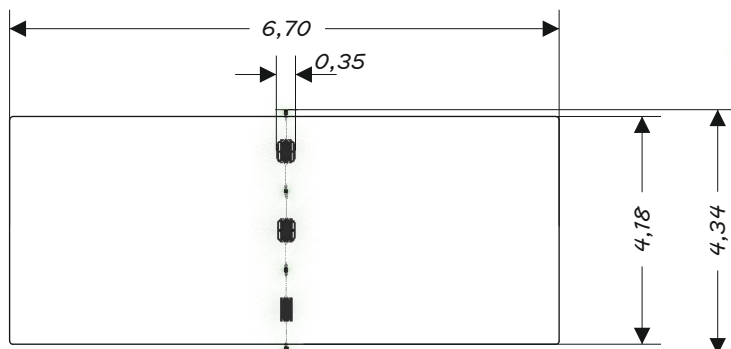


swing 0512 MULTI PERSON MINISWING

Device Specifications	
Safety zone	28,00 m ²
Length	0,35 m
Width	4,34 m
Total height	1,79 m
Free fall height	1,30 m
Age range	1-4/3-14 yrs
In accordance w/ EN standards	1176-1:2009
Availability of spare parts	Yes
Weight of the heaviest part [kg]	12
Dimension of the biggest part [cm]	225x8x8



Minimal space



MATERIAL SPECIFICATION

Swing series – a wide variety of swings that are extremely popular on playgrounds. Comfortable and safe seats designed for those as young as 1, as well as older children. Durable constructions that will bring the kids joy for a long time. These swings are not only fun; they also sooth the children and help them learn to maintain their balance.

- 80 x 80 mm galvanized and/or powder coated steel construction
- No sharp edges or chinks that would pose a danger for jamming of the head, fingers or any other body parts
- All screws covered with colorful plastic caps
- Safe rubber plug buttons topping the construction
- Stainless steel chain hooks
- Calibrated chain preventing fingers from getting stuck
- Durable certified seats

ADDITIONAL COMMENTS

- The device is certified by an accrediting organization
- Embedded 80/70/60 cm deep in flat ground
- The device is designed for public playgrounds

Due to the free fall height of the device, the EN 1176-1:2009 standard allows the following surfaces to cushion a fall. The level of granular materials is required in accordance with the manufacturer's instructions. Dimensions of the foundation are described in installation instruction.

Material	Description [mm]	Minimal layer thickness [mm]	Dimensions foundation
Tree bark	Grain size from 20 to 80	300	A,C
Chip	Grain size from 5 to 30	300	A,C
Sand	Grain size from 0,2 to 2	300	A,C
Gravel	Grain size from 2 to 8	300	A,C
Synthetic materials	Free fall approval ≥1300		A,B,C



Vinci-play playground and outdoor fitness manufacturer