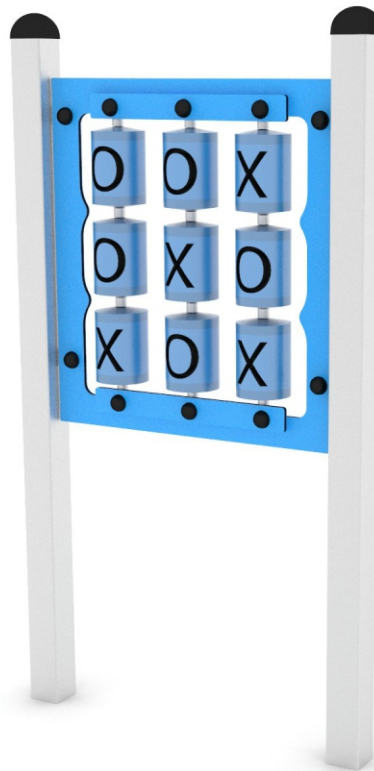
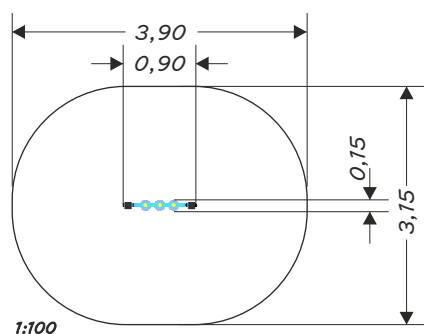


**solo 0806** TIC TAC TOE GAME

DEVICE SPECIFICATIONS	
Safety zone	10,40 m <sup>2</sup>
Length	0,90 m
Width	0,15 m
Total height	1,65 m
Age range	3-12 yrs
In accordance w/ EN standards	1176-1:2008
Availability of spare parts	Yes
Weight of the heaviest part [kg]	15
Dimension of the biggest part [cm]	226x8x8



Minimal space



**MATERIAL SPECIFICATION**

Solo series – individual devices that are a necessary addition to the main amenities of the playground. Games, didactic accessories, sandpits, little houses, wagons – elements that are incredibly appealing to children and are an unlimited source of fun, while at the same time inspire children’s critical thinking and develop their motor and sensory as well as emotional and cognitive skills. Carefully chosen patterns, colors and details gain the approval of even the most demanding children.

- Galvanized and/or powder coated construction
- All screws covered with colorful plastic caps
- Safe rubber plug buttons at the top of the construction

**ADDITIONAL COMMENTS**

- The device is certified by an accrediting organization
- Embedded 75/65/55 cm deep in flat ground
- The device is designed for public playground
- Foundation „A,B,C” dimensions of the foundation are described in installation instruction

Due to the free fall height of the device, the EN 1176-1:2008 standard allows the following surfaces to cushion a fall. The level of granular materials requires filling in, conservation of synthetic materials is required in accordance with the manufacturer’s instructions. Dimensions of the foundation are described in installation instruction.

Material	Description [mm]	Minimal layer thickness [mm]	Dimensions foundation
Turf/Soil			A,B,C
Tree bark	Grain size from 20 to 80	300	A,C
Chip	Grain size from 5 to 30	300	A,C
Sand	Grain size from 0,2 to 2	300	A,C
Gravel	Grain size from 2 to 8	300	A,C
Synthetic materials			A,B,C

